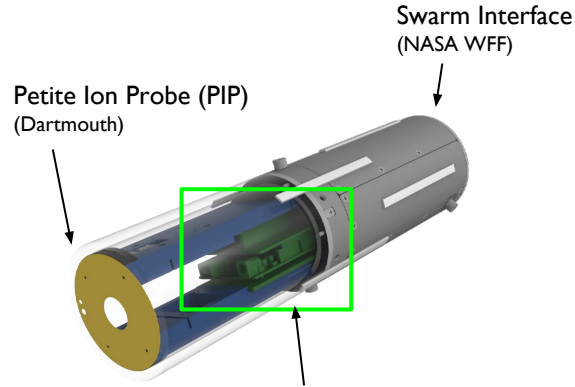


A Low Resource Instrumentation Package for Thermal Ion Sensors

Engineering Senior Honors Thesis

Ruthie Nordhoff '20

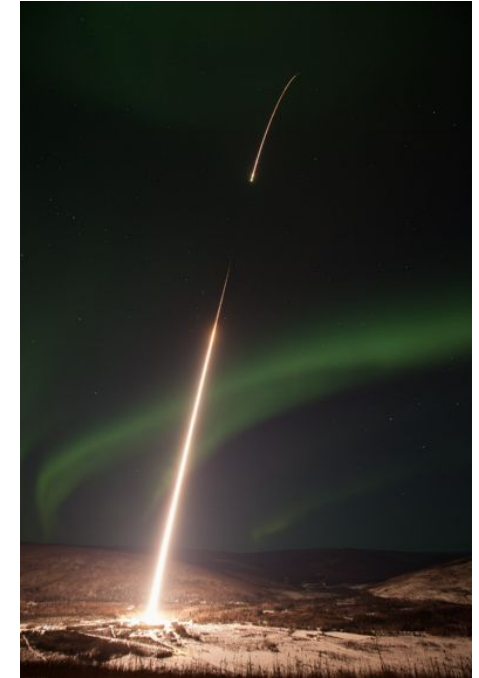
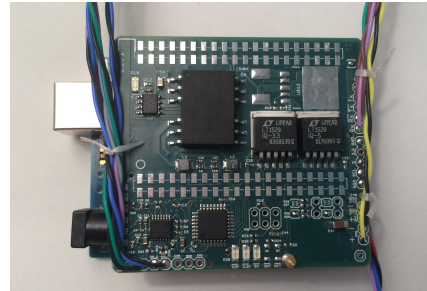
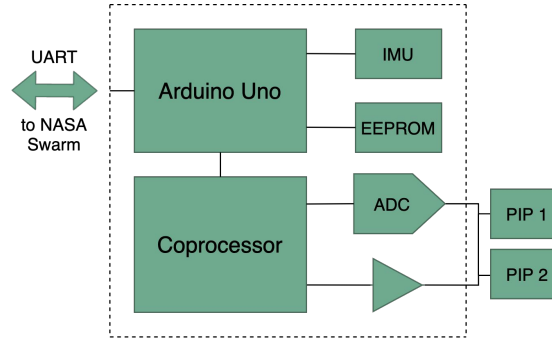
Advisors: Kristina Lynch & Kofi Odame



J. Yacubucci, NASA WFF

Instrumentation Package (Dartmouth)

- Interfaces with 2 PIPs
- Controls data collection
- Records IMU attitude data
- Transmits data packets



NASA/Chris Perry

This thesis details the redesign of a reproducible, low-resource instrumentation package for deployment on spacecraft. Testing and integration procedures were developed for the redesigned package, which were implemented throughout the fabrication of 29 devices. These instrumentation packages can be configured for use on varied rocket campaigns as well as other data collection applications.